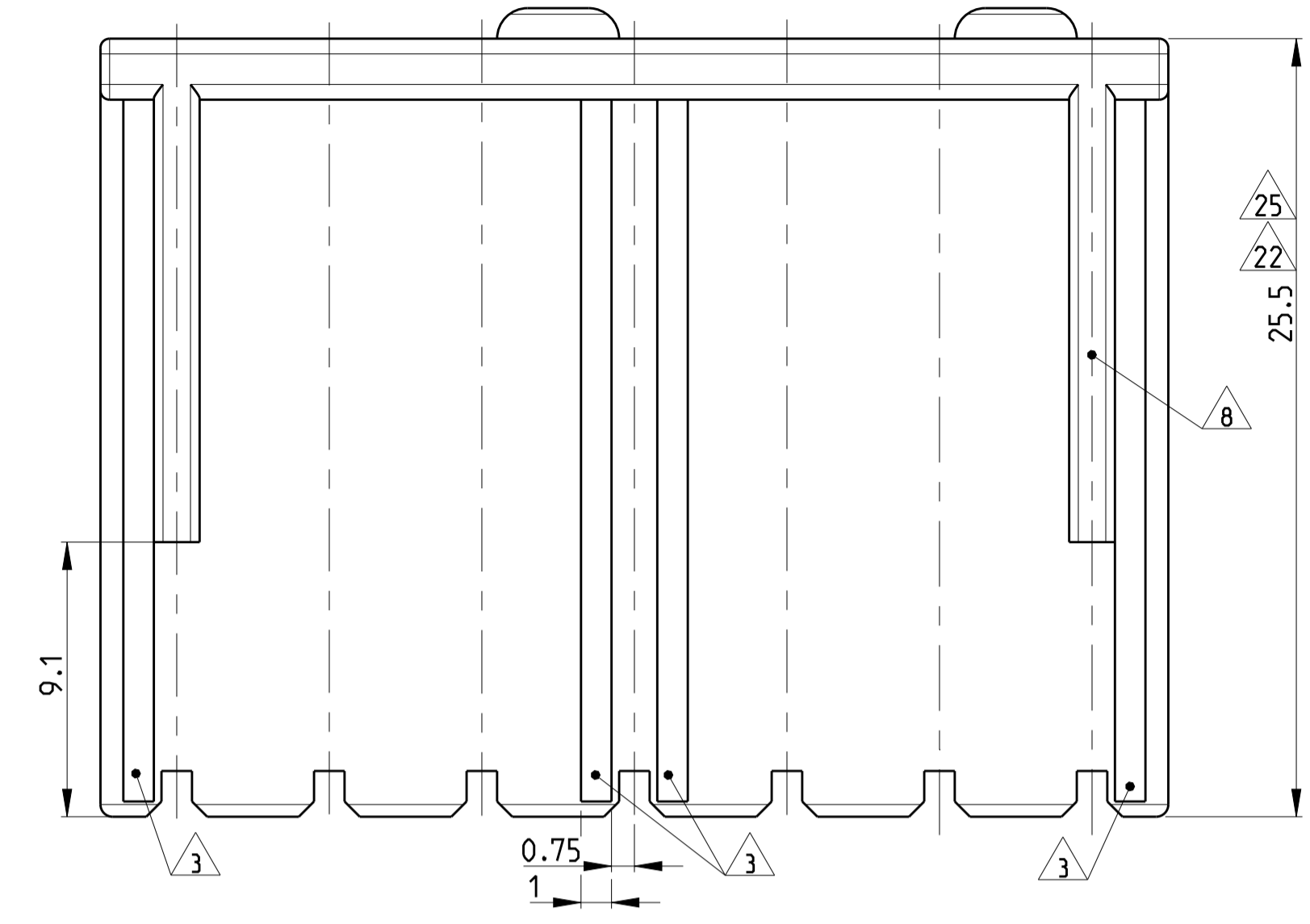
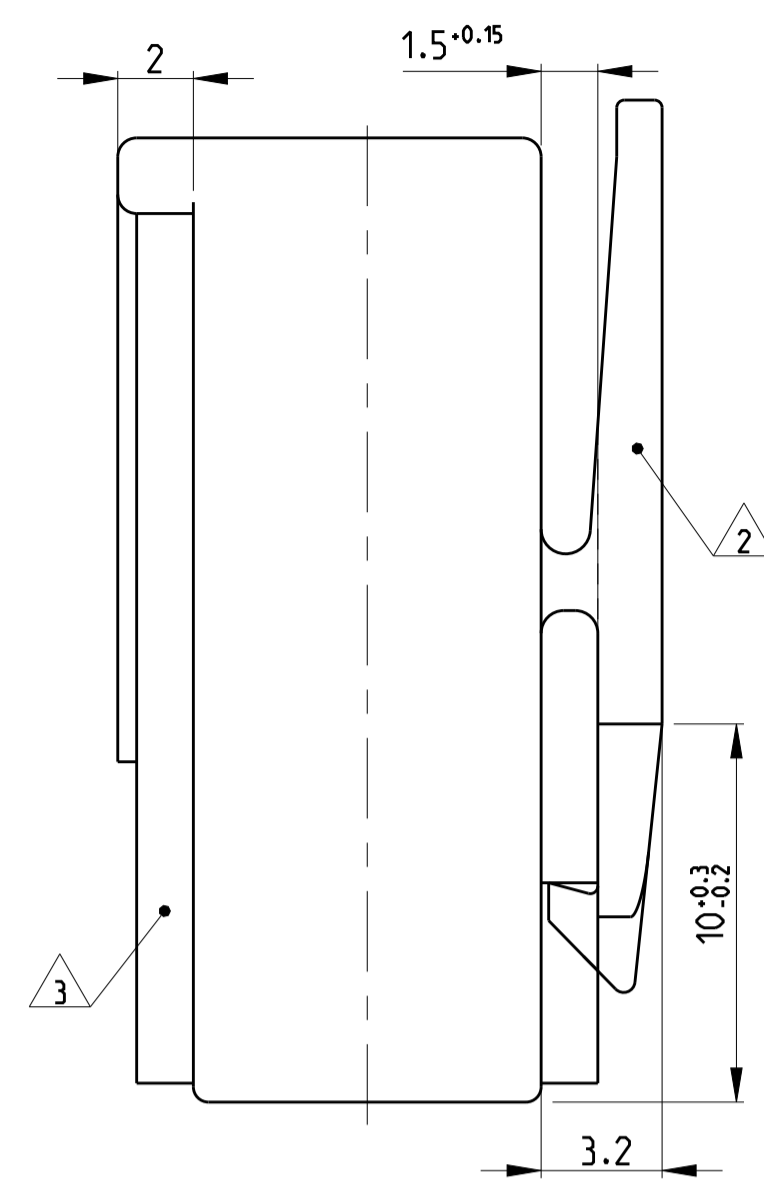
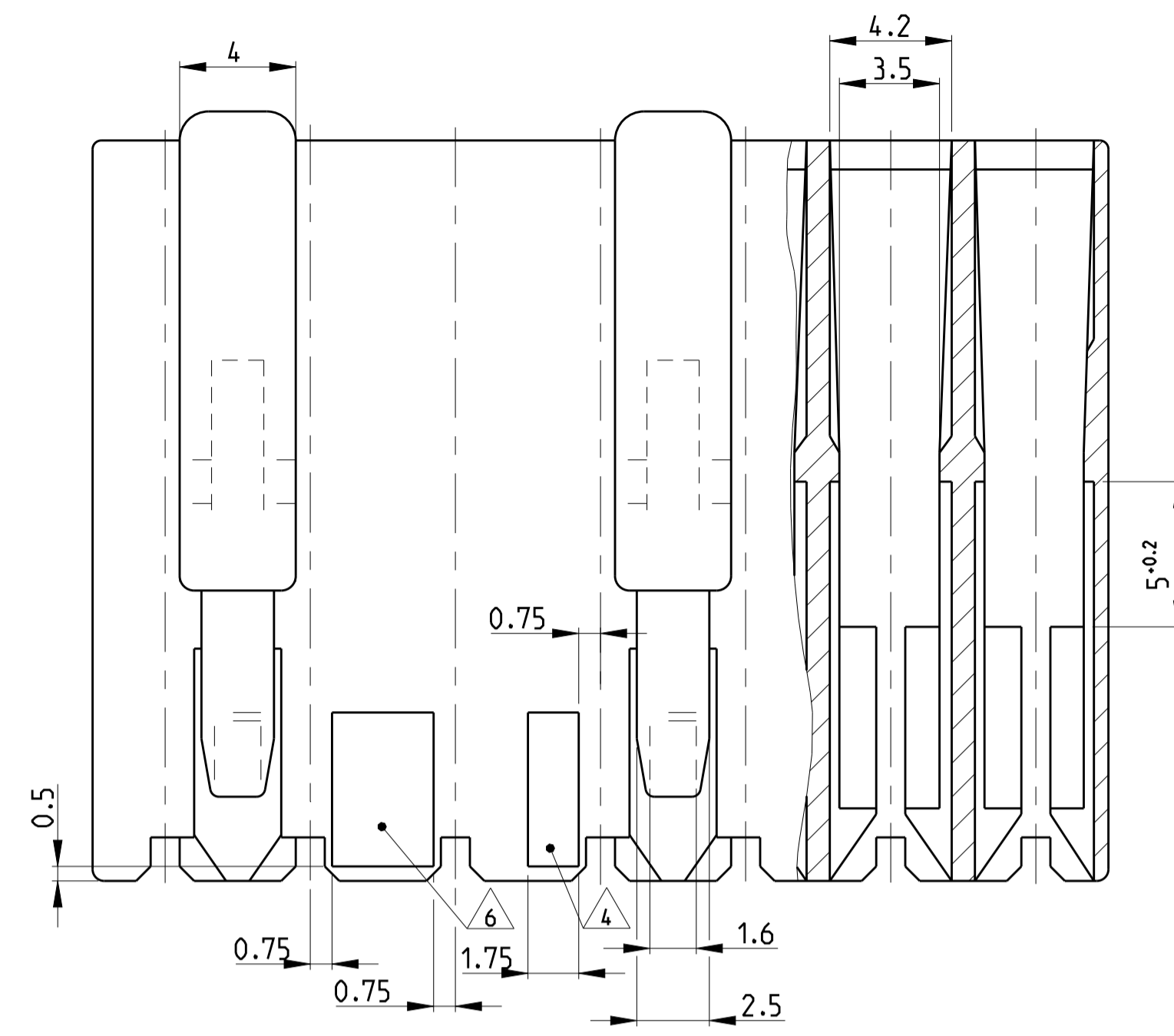
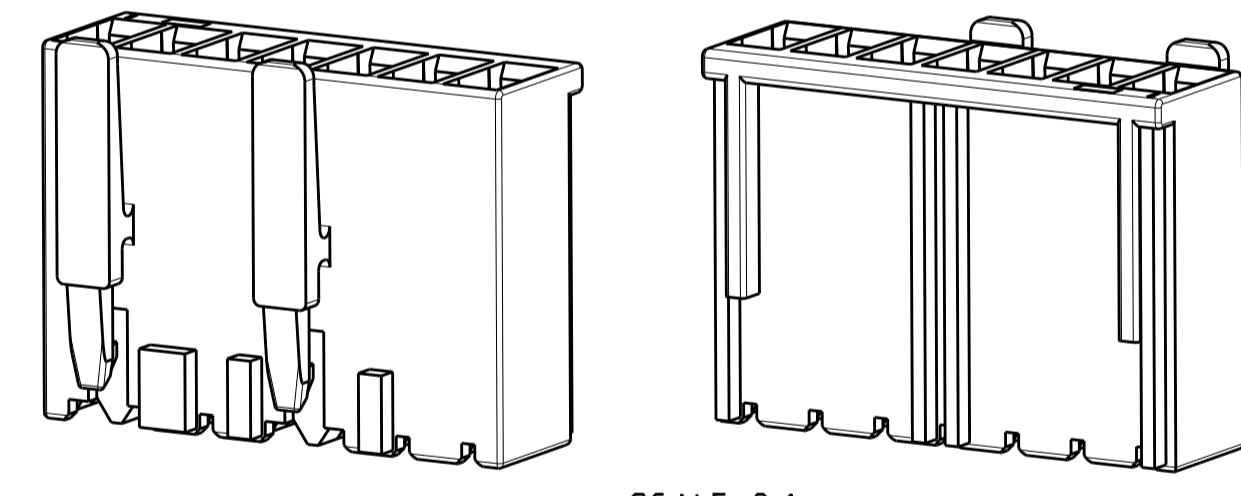
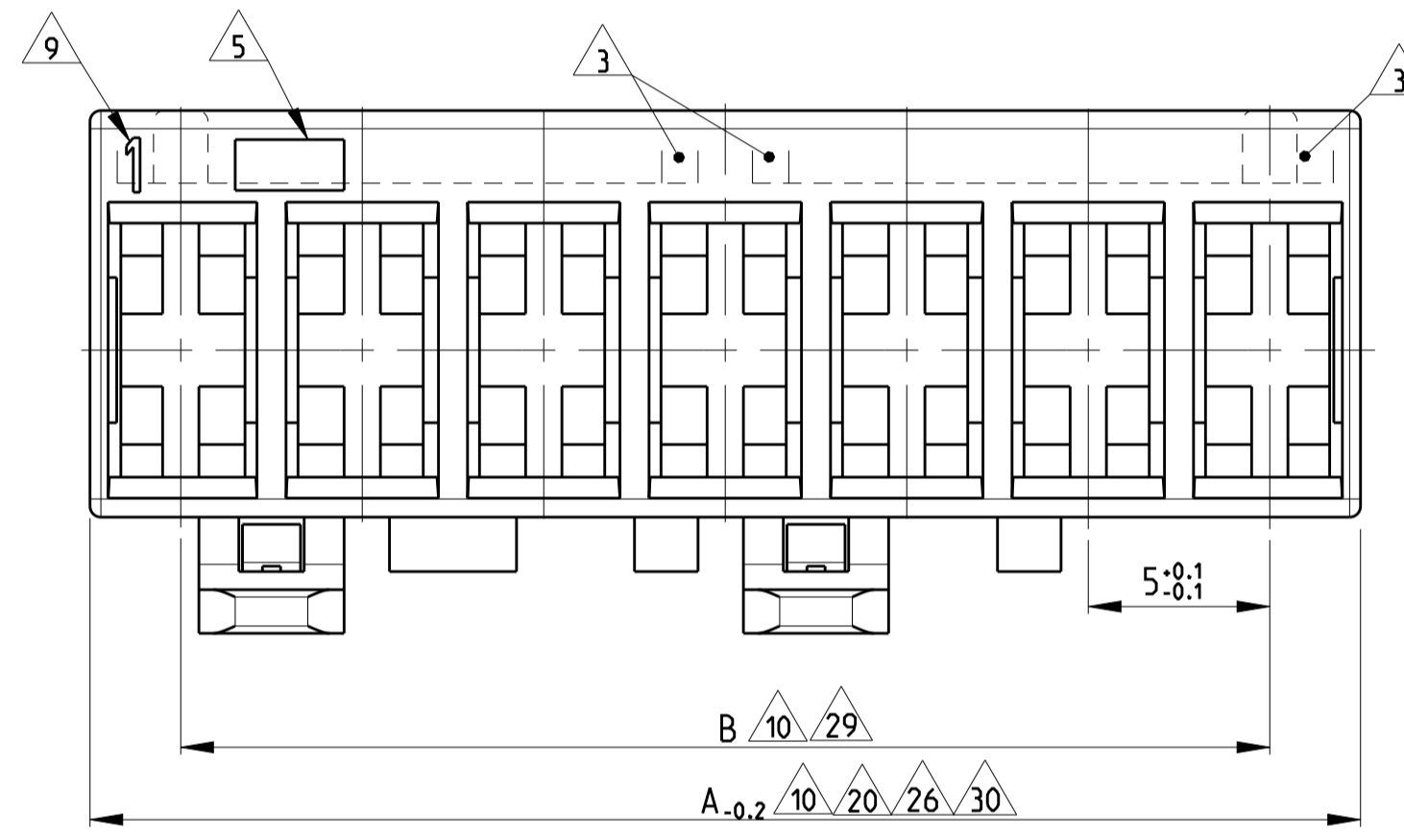
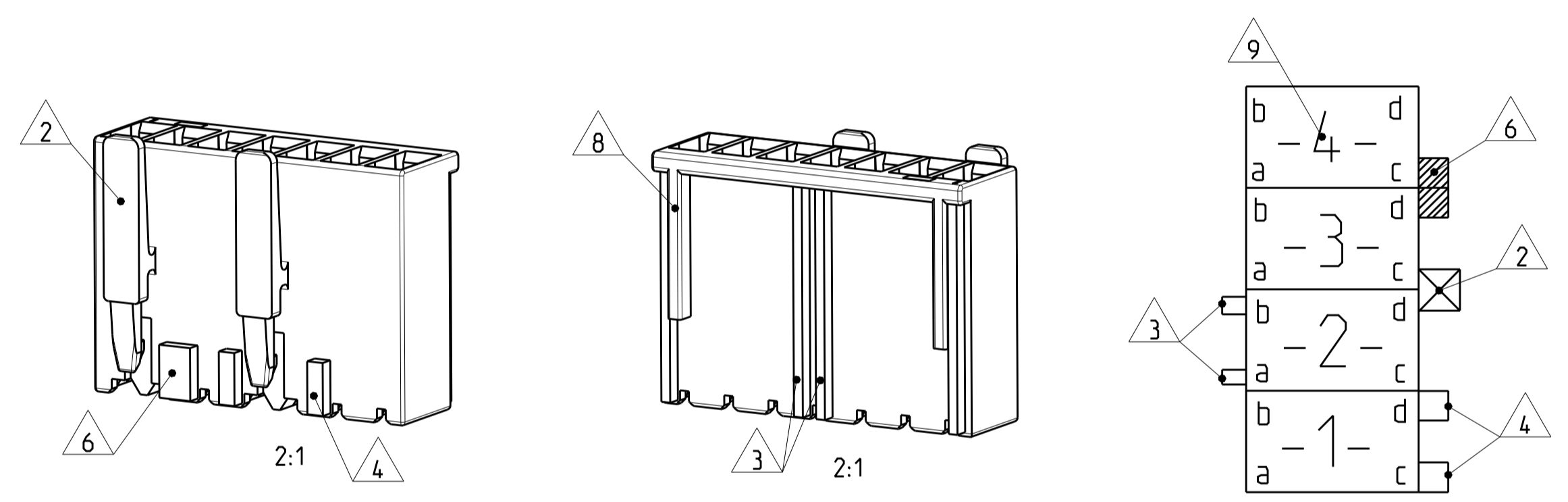


LOC		DIST		REVISIONS			
P	LTR	DATE	BY	APPV	DESCRIPTION	DATE	BY
B26	ECR-15-012741	22SEP2015	KD	RR			
B27	ECR-15-015509	05NOV2015	KD	RR			

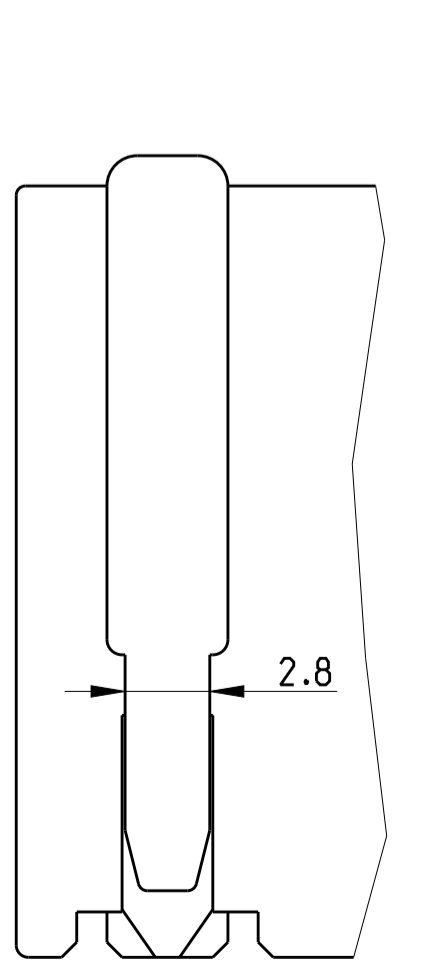
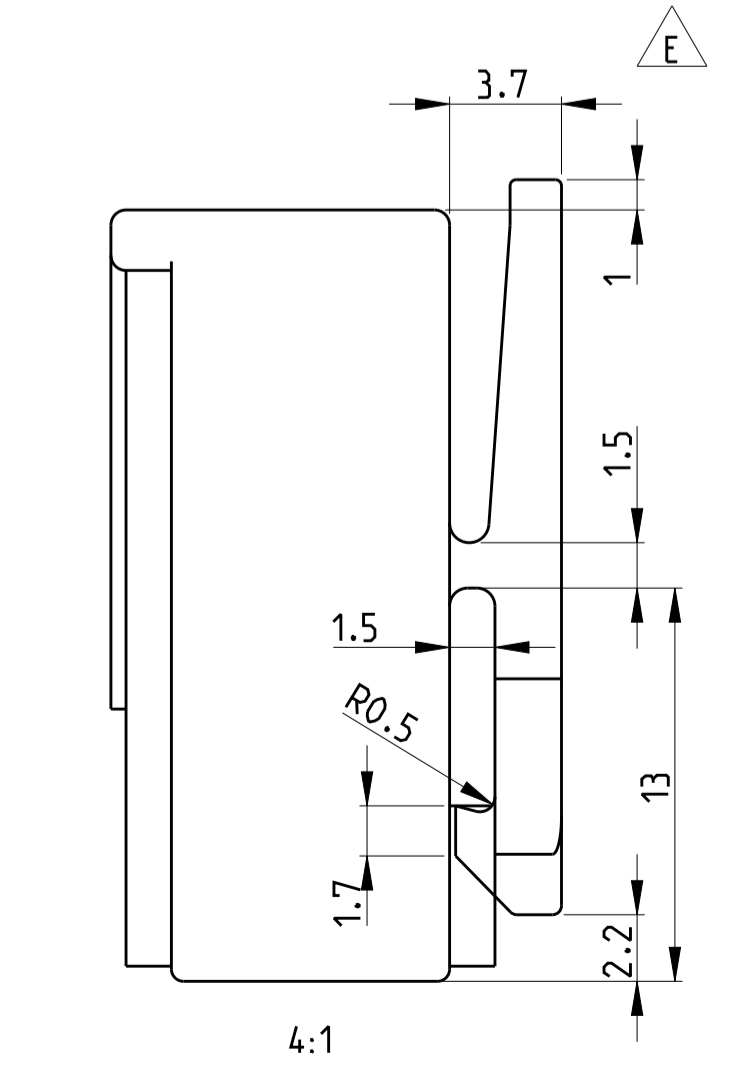
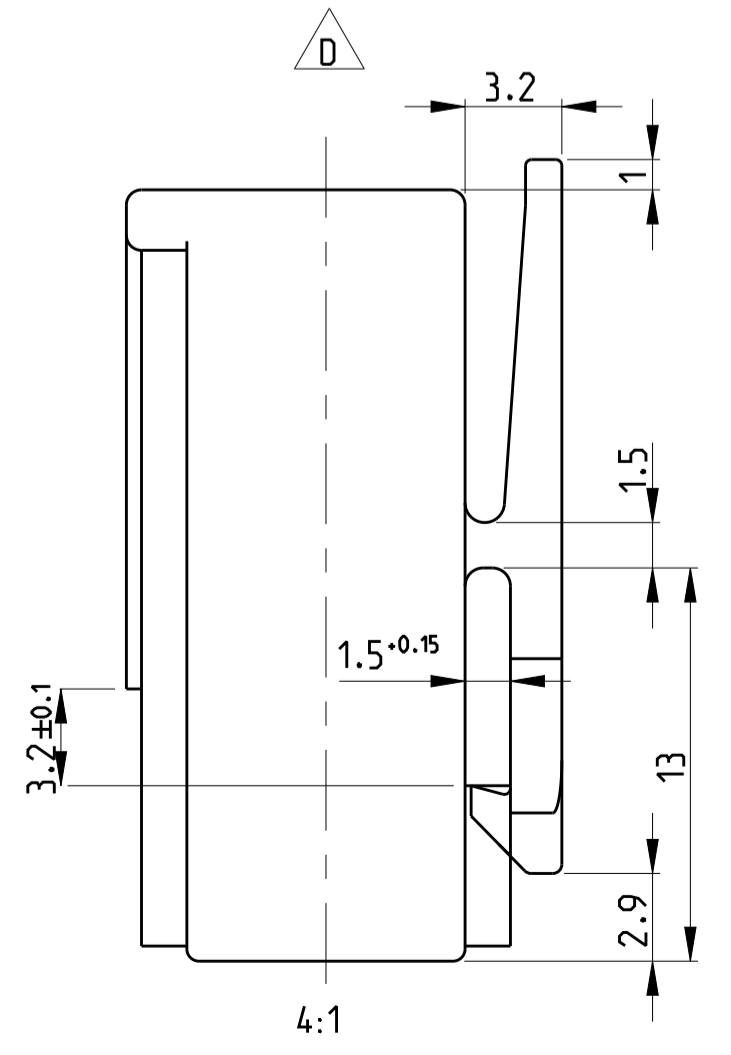
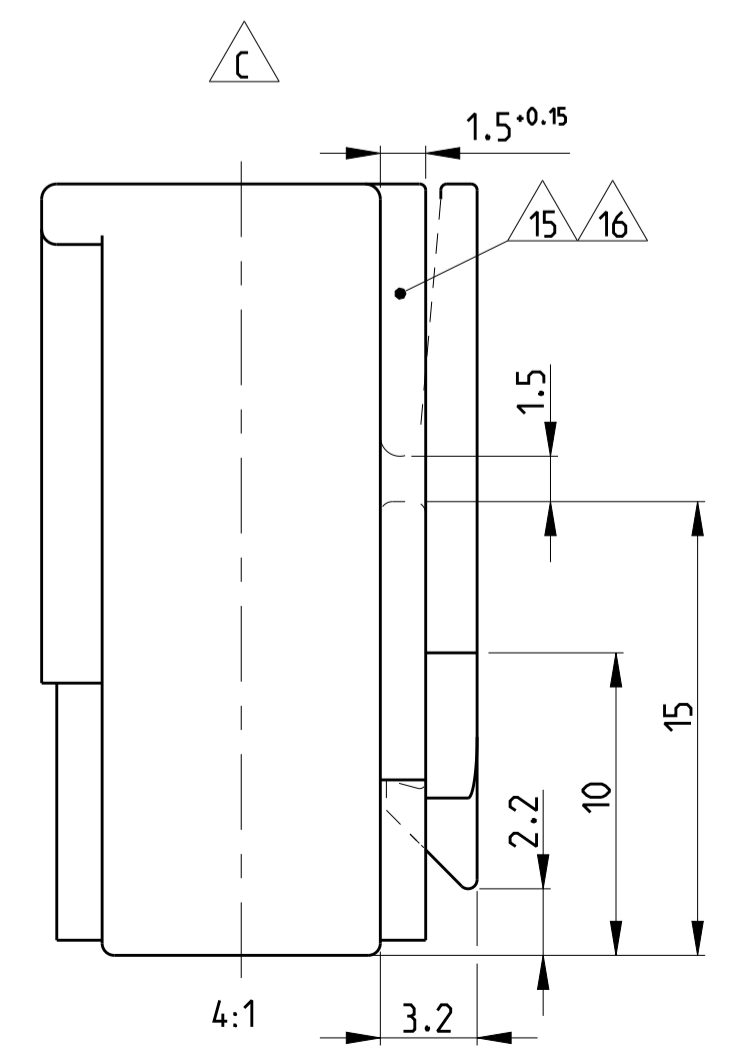
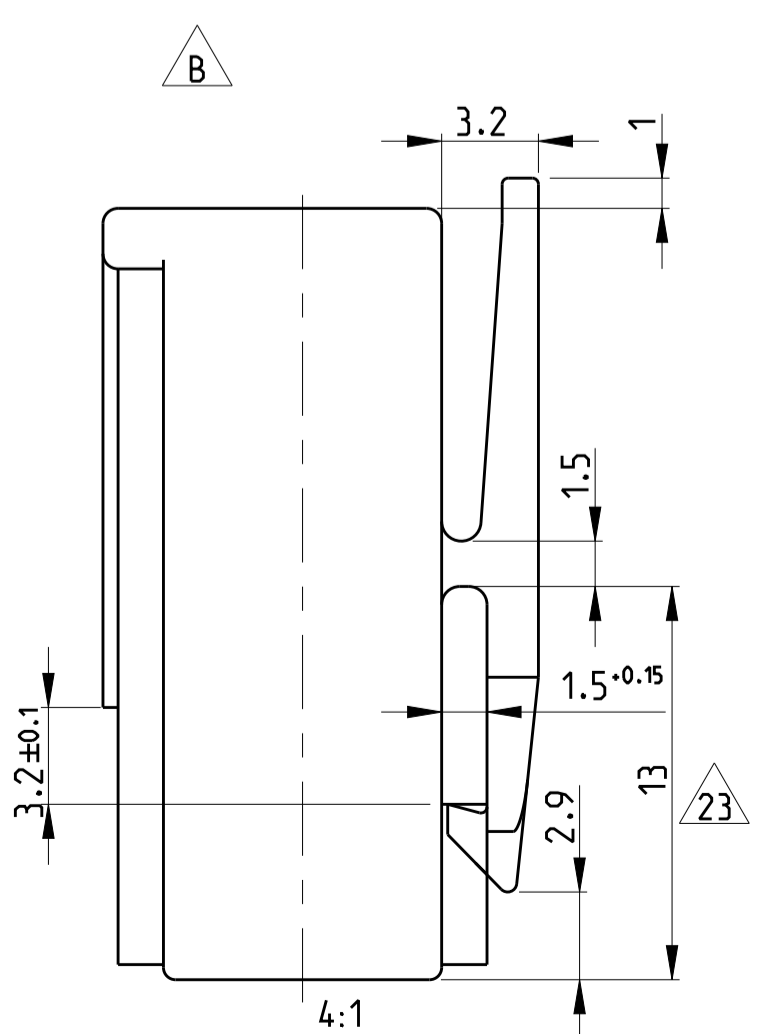
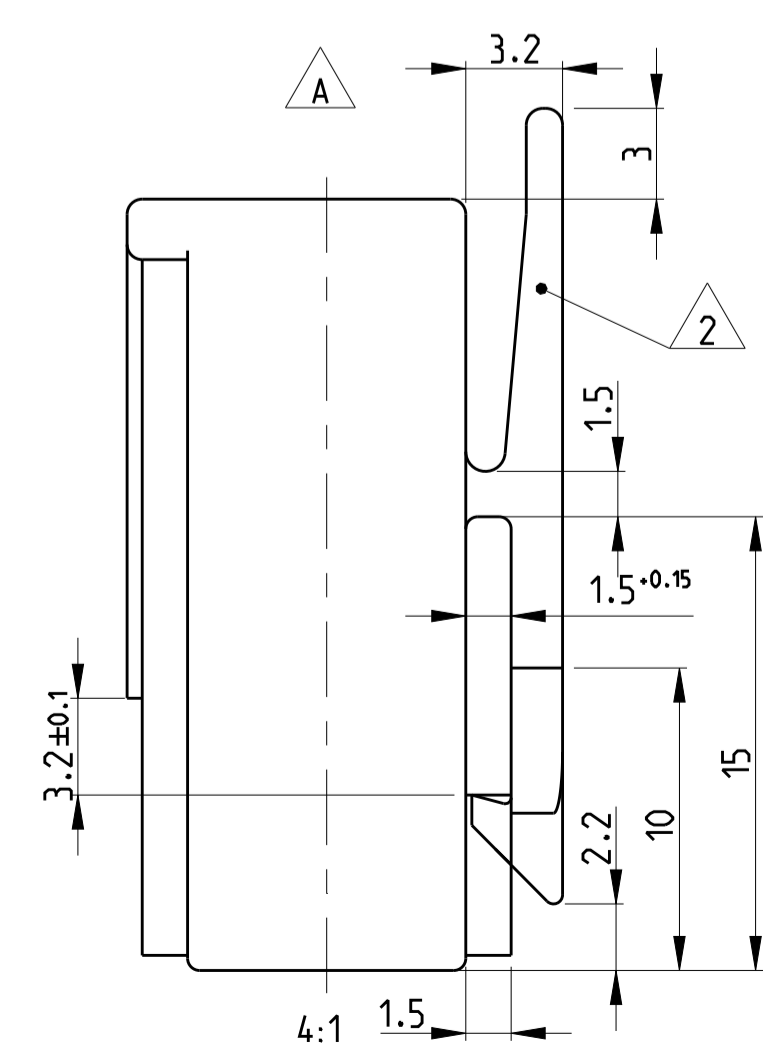


DESCRIPTION  
POSITION OF THE KEYING RIBS, POLARISATION RIBS AND THE LOCKING LATCH



PAY ATTENTION!  
DIFFERENT LOCKING LATCHES

ALL OTHER DIMENSIONS ARE SAME

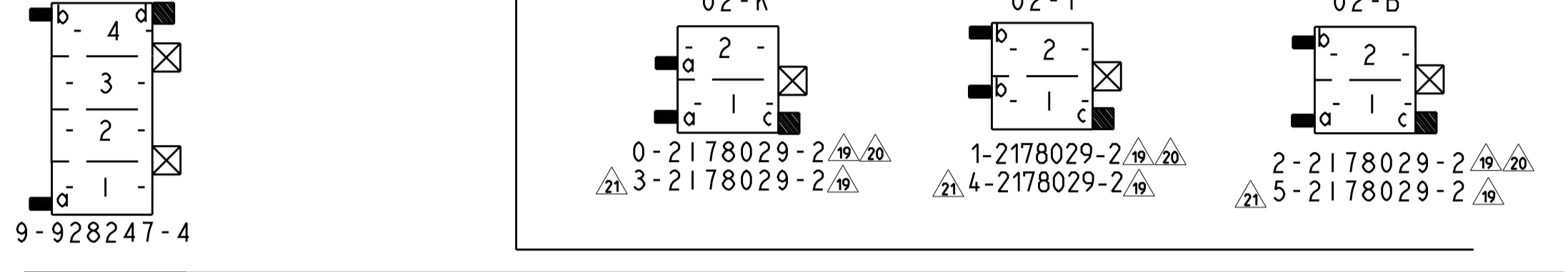
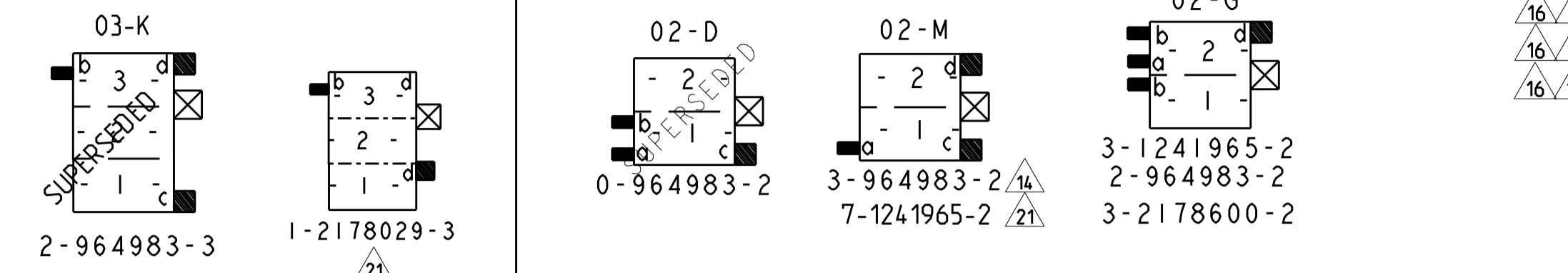
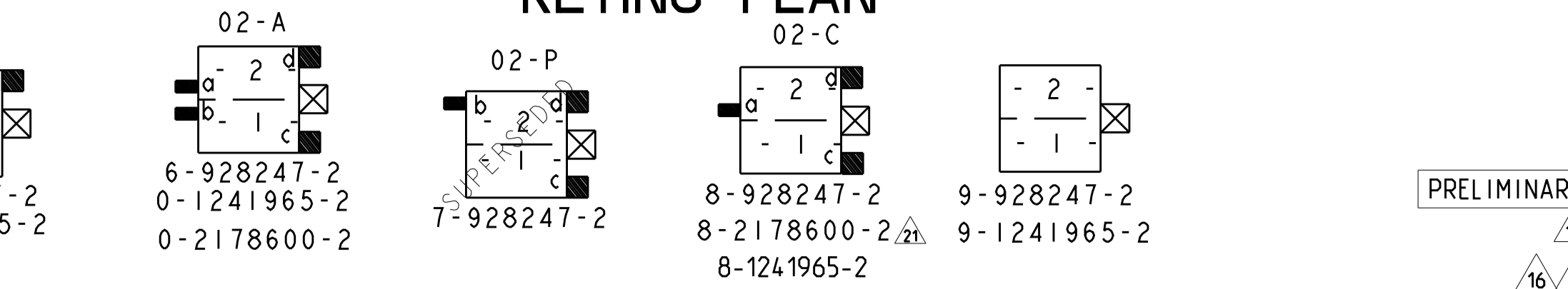
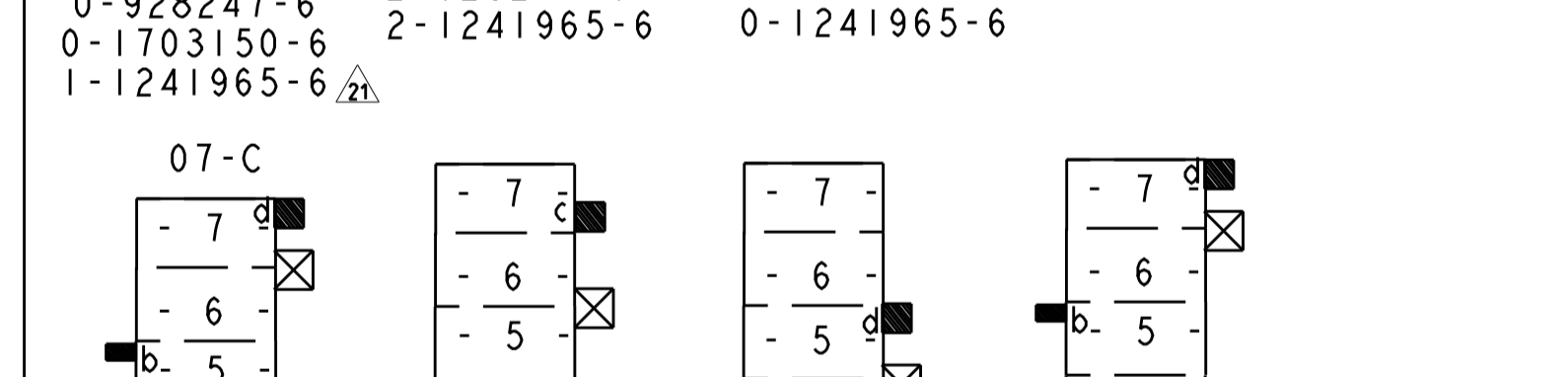
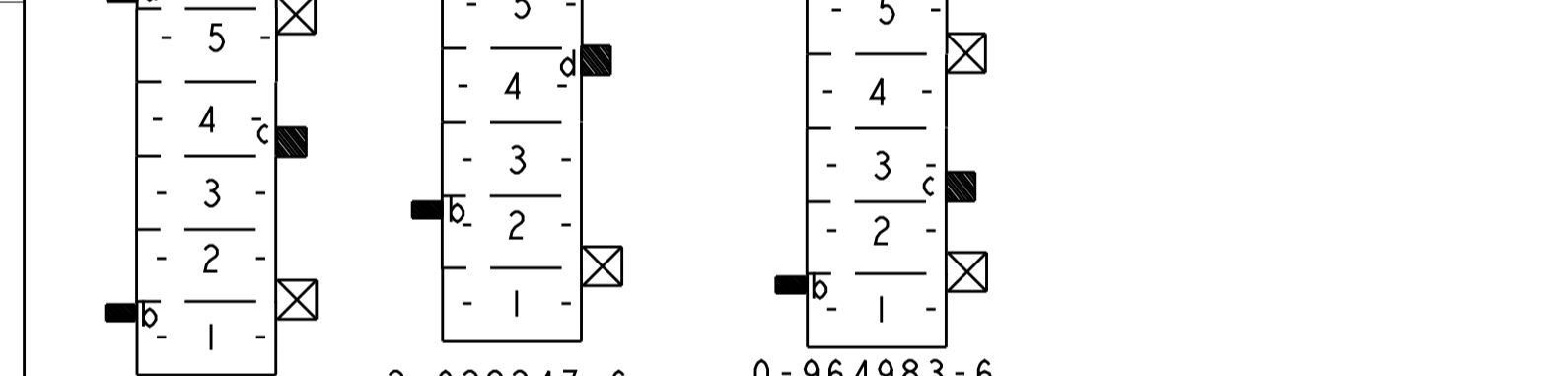
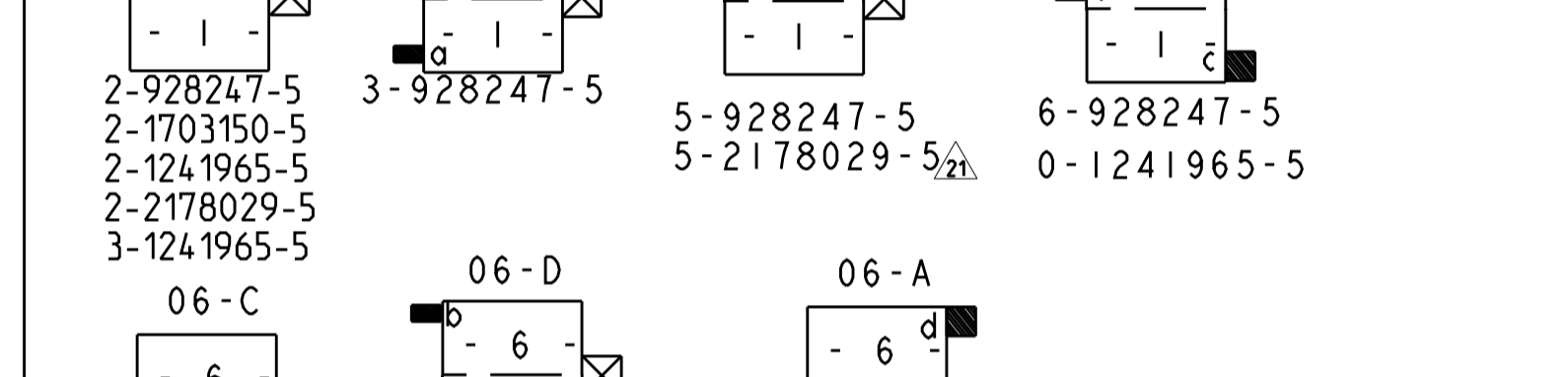
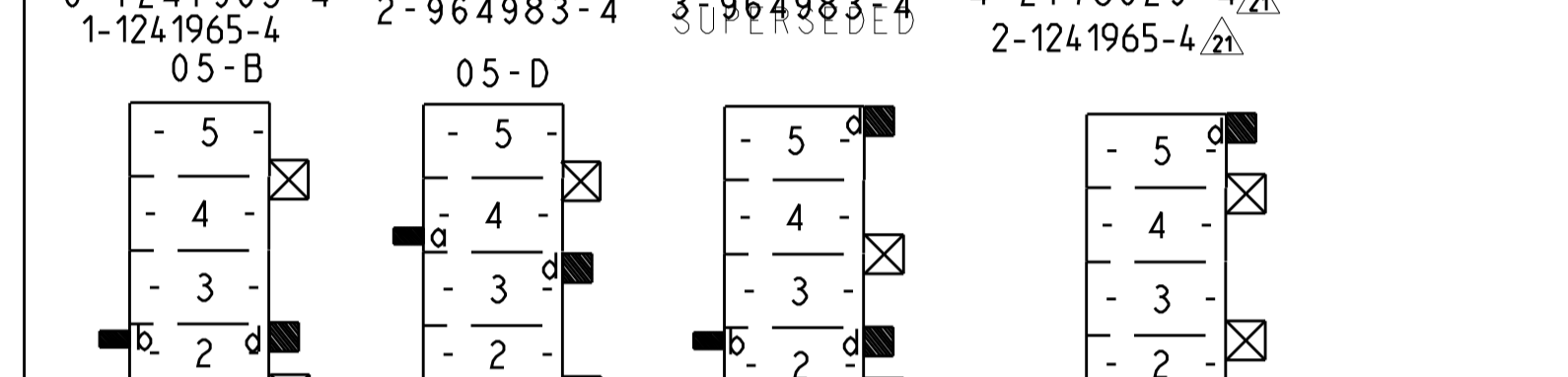
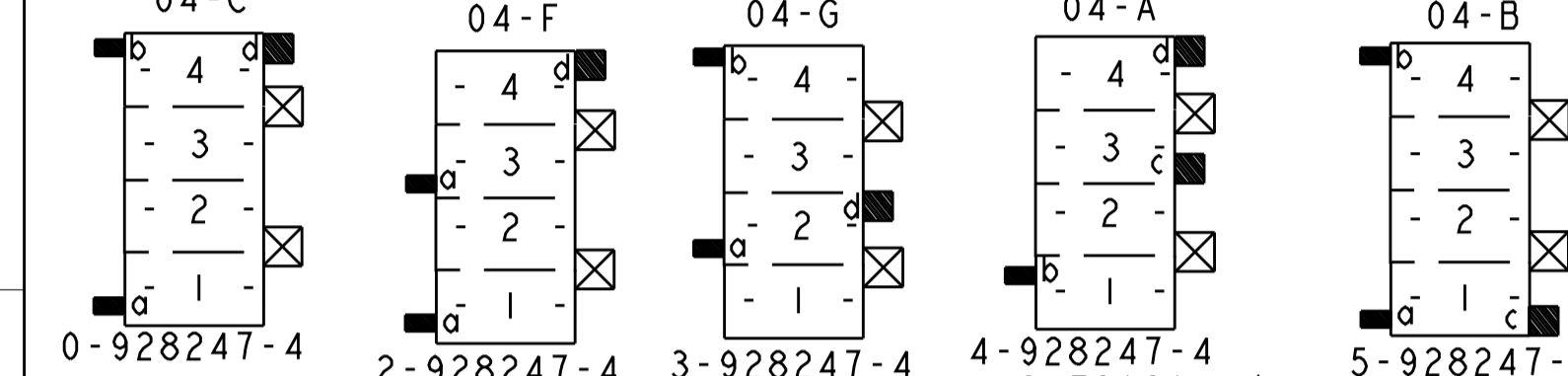
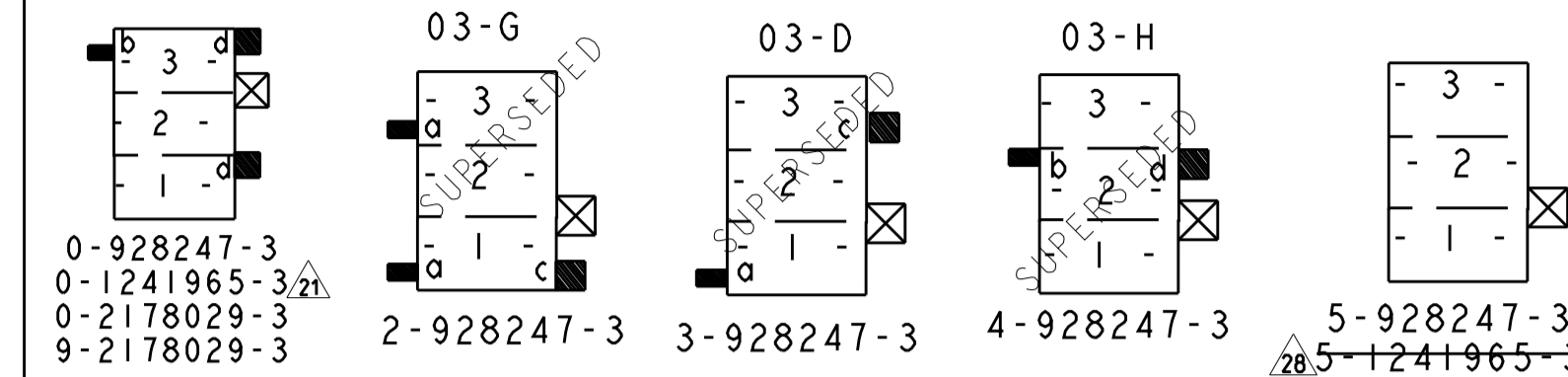
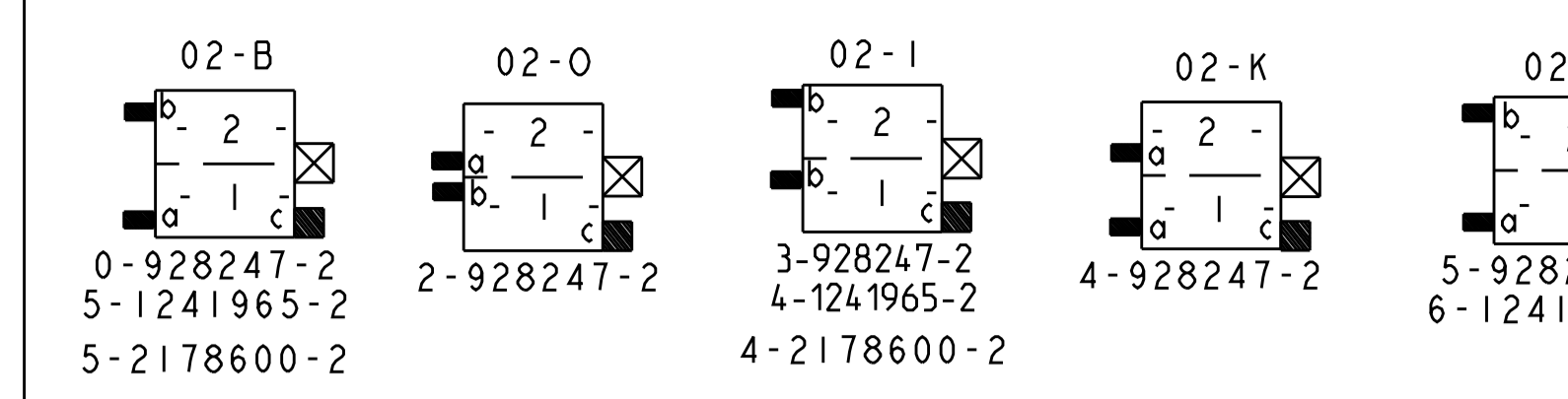


- 1 CAVITY SUITABLE TO STANDARD TIMER CONTACTS LISTED IN PROD. SPEC: 108-18049, ITEM 3.3.2  
Kammer geeignet für Standard Timer Kontakte gelistet in Prod. Spec. 108-18049, Punkt 3.3.2
- 2 LOCKING LATCH BETWEEN CAVITY NO.  
Rasthaken zwischen Kammernummer
- 3 POLARIZATION RIB POSITION "a" OR POSITION "b", AT CAVITY NO..  
Polarisierungsrippen (Lage "a") oder (Lage "b") versetzt bei Kammer Nr
- 4 KEYING RIB POSITION "c" OR POSITION "d", AT CAVITY NO..  
Kodierungsrippen nach unten (Lage "c") oder oben (Lage "d") versetzt bei Kammernummer
- 5 AREA FOR TE LOGO ACC. TO SPEC 202-36  
Bereich für TE Logo nach Spec. 202-36
- 6 WIDTH KEYING RIB BETWEEN CAVITY NO.  
Breite Kodierrippe zwischen Kammer Nr.
- 7 SUITABLE TO TAB 6.3x0.8mm AND 4.8x0.8mm ACCORDING TO DIN 46244  
Geeignet für Flachstecker 6.3x0.8mm und 4.8x0.8mm nach DIN 46244
- 8 MATING STOP BETWEEN CAVITY NO.1 AND 2, ALSO BETWEEN THE LAST AND THE LAST BUT ONE CAVITY  
Tiefenanschlag zwischen Kammer Nr.1 und 2, ebenfalls zwischen der letzten und vorletzten Kammer
- 9 CONTACT CAVITY NO.  
Kammernummer
- 10 DIMENSION A AND DIMENSION B SEE SHEET 2 OF 3  
Maß A und Maß B siehe Blatt 2 von 3
- 11 MATED WITH TE CONNECTOR: SEE TABLE, SHEET 2 OF 3  
Passender TE Gegenstecker: siehe Tabelle, Seite 2 von 3
- 12 GENERAL SUITABLE TAB HEADER HOUSING SEE RAST 5 PERFORMANCE  
Generell passende Flachsteckerwanne, siehe RAST 5 Vorgabe
- 13 CONNECTION TO THE PC BOARD SEE DRAWING 88-9935-4  
Leiterplattenanschluß siehe Zeichnung 88-9935-4
- 14 SEE TABLE, SHEET 2 OF 3  
Siehe Tabelle, Blatt 2 von 3
- 15 MATERIAL CORRESPONDS TO THE REQUIREMENT EN 60335 (INCL. GLOW WIRE TEST 750°C WITHOUT FLAME)
- 16 WIRE TANGLING PROTECTION
- 17 WIRE TANGLING PROTECTION IN COMBINATION WITH CODING RIBS, ONLY VALID FOR VERSIONS 5-964702-3, 0-964702-3, 0-964702-1
- 18 KEYING ACC. TO RAST-5 STANDARD; COLOUR IS DIFFERENT
- 19 8 POS. SPECIAL VERSION WITH SWAGED KEYING RIB
- 20 SPECIAL MATERIAL PA66, UL 94 V0
- 21 DIMENSION "A" IS ACCEPTED WITHIN TOLERANCE +0.05/-0.20.
- 22 PRELIMINARY PART- NOT YET RELEASED FOR PRODUCTION
- 23 ONLY FOR PN 2178600-2, 3-2178600-2, 4-2178600-2, 5-2178600-2, TOLERANCE IS +0.4 -0.2, WORST CASE CAN BE OUT OF RAST STANDARD.
- 24 ONLY FOR PN 2178600-2, 3-2178600-2, 4-2178600-2, 5-2178600-2, TOLERANCE IS ±0.4
- 25 ONLY FOR PN 3-1241965-5, 3-1241965-7 TOLERANCE IS +0.3 -0.2
- 26 ONLY FOR PN 3-1241965-5, 3-1241965-7 TOLERANCE IS +0.2 -0.2
- 27 ONLY FOR PN 3-1241965-5, 3-1241965-7 TOLERANCE IS +0.05 -0.2
- 28 OBSOLETE PART
- 29 ONLY FOR 4-1241965-7, TOLERANCE IS -0.3
- 30 ONLY FOR 4-1241965-7, TOLERANCE IS +0.2/-0.25

THIS DRAWING IS A CONTROLLED DOCUMENT.		OWN: Kishor M 07-NOV-06		TE Connectivity	
DIMENSIONS: mm		CHK: K. Muntz 07-NOV-06		NAME: 2-12 POS. STANDARD TIMER HSG. WITH EXTERIOR LOCKING	
TOLERANCES UNLESS OTHERWISE SPECIFIED: ±0.2		APPV: T. Klenner 07-NOV-06	PRODUCT SPEC: 108-18049		
MATERIAL: SEE TABLE		FINISH: -	APPLICATION SPEC: -		
ANGLES: -		WEIGHT: -	SIZE: A1		
FINISH: -		Customer Drawing	SCALE: 5:1 SHEET 1 OF 3 REV: B27		

# KEYING PLAN

LOC	DIST	REV	DATE	BY	APPV
A1	-	1	07-NOV-06	K. Munz	
		2	07-NOV-06	Th. Klemmer	



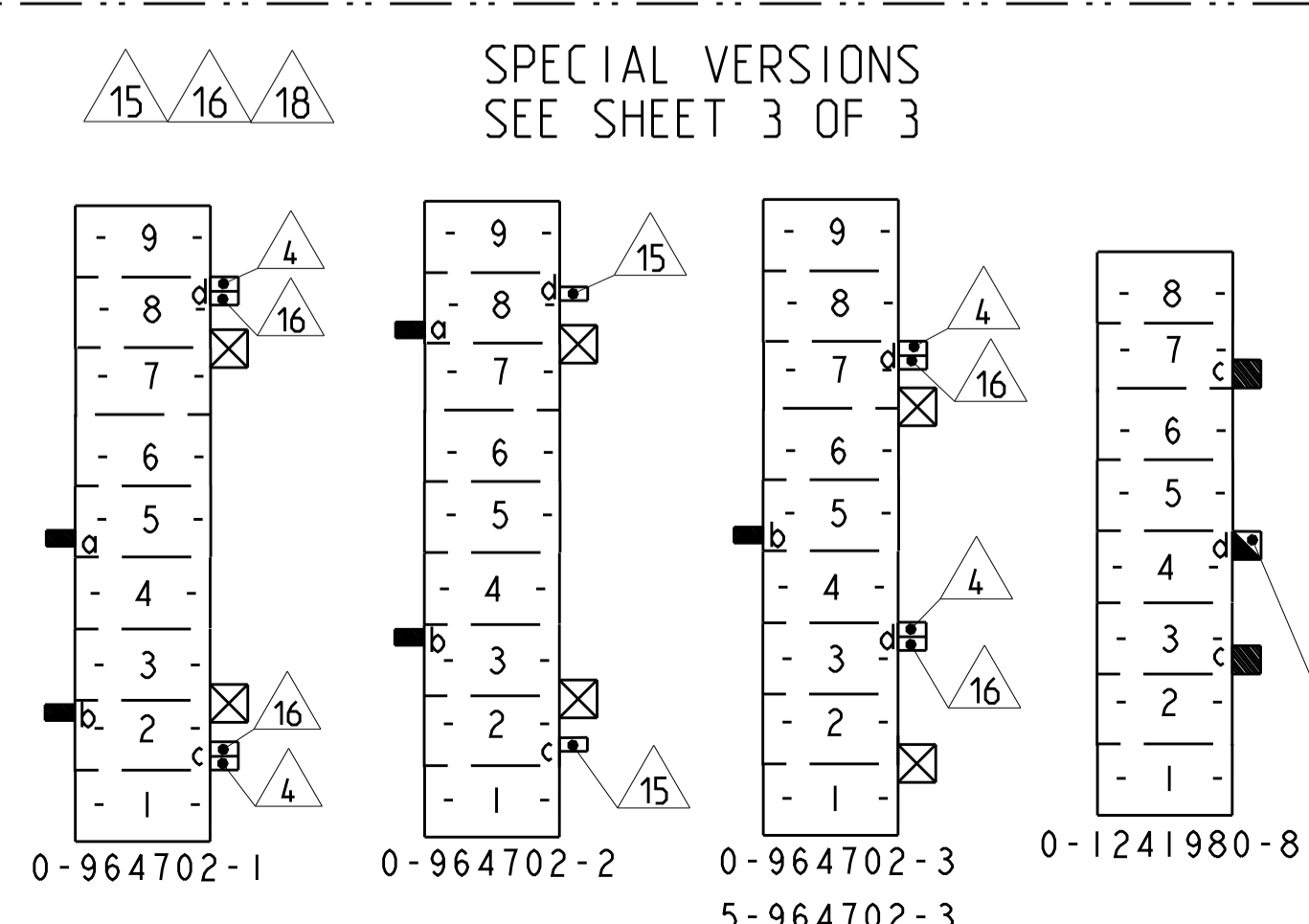
PRELIMINARY	POS.	RAST 5	DIM A	DIM B	COLOUR	MATERIAL	LOCKING LATCH	REV.	MATED WITH
Bestell-Nr.	Pol.	Rast 5	Maß A	Maß B	Farbe		Rasthaken	Rev.	Gegenstecker
2-1241965-4	4	-	20	15	NATURAL	PA66 V-0 GW T750	E	1	12, 13
1-1241965-4	4	04-C	20	15	NATURAL		E	A	12, 13
8-1241965-2	2	02-C	10	5	NATURAL		E	A	12, 13
4-1241965-7	7	-	35	30	NATURAL		E	A	12, 13
3-1241965-7	7	07-C	35	30	NATURAL	PA6 GF15 UL94V-2	D	A	12, 13
3-1241965-5	5	05-B	25	20	NATURAL		D	A	12, 13

PRELIMINARY	POS.	RAST 5	DIM A	DIM B	COLOUR	MATERIAL	LOCKING LATCH	REV.	MATED WITH
Bestell-Nr.	Pol.	Rast 5	Maß A	Maß B	Farbe		Rasthaken	Rev.	Gegenstecker
8-2178029-2	2	02-C	10	5	NATURAL	PA6 GF15 UL94V-2	B	1	12, 13
5-2178029-2	2	02-B	10	5	BLACK		B	B	12, 13
4-2178029-2	2	02-I	10	5	RED		B	B	12, 13
3-2178029-2	2	02-G	10	5	BLUE		B	B	12, 13
0-2178029-2	2	02-A	10	5	NATURAL		B	B	12, 13

PRELIMINARY	POS.	RAST 5	DIM A	DIM B	COLOUR	MATERIAL	LOCKING LATCH	REV.	MATED WITH
Bestell-Nr.	Pol.	Rast 5	Maß A	Maß B	Farbe		Rasthaken	Rev.	Gegenstecker
2-1241965-7	7	07-C	35	30	NATURAL	PA6 UL94V-2	B	A	12, 13
1-1241965-6	6	06-C	30	25	NATURAL		B	1	12, 13
0-1241965-6	6	06-A	30	25	NATURAL		B	A	12, 13
5-1241965-3	3	-	15	10	NATURAL		A	1	12, 13
0-1241965-3	3	-	15	10	NATURAL		B	1	12, 13
6-1241965-2	2	02-E	10	5	NATURAL		B	A	12, 13

PRELIMINARY	POS.	RAST 5	DIM A	DIM B	COLOUR	MATERIAL	LOCKING LATCH	REV.	MATED WITH
Bestell-Nr.	Pol.	Rast 5	Maß A	Maß B	Farbe		Rasthaken	Rev.	Gegenstecker
5-2178029-5	5	-	25	20	GREEN		B	1	12, 13
2-2178029-5	5	-	25	20	BLACK		B	A	12, 13
4-2178029-4	4	-	20	15	NATURAL		B	1	12, 13
9-2178029-3	3	-	15	10	YELLOW		B	A	12, 13
1-2178029-3	3	-	15	10	NATURAL		B	1	12, 13
0-2178029-3	3	-	15	10	NATURAL		B	A	12, 13
5-2178029-2	2	02-B	10	5	NATURAL	PA66 UL94V-0	B	1	12, 13
4-2178029-2	2	02-I	10	5	NATURAL		B	1	12, 13
3-2178029-2	2	02-K	10	5	NATURAL		B	1	12, 13
2-2178029-2	2	02-B	10	5	BLACK		B	A	12, 13
1-2178029-2	2	02-I	10	5	RED		B	A	12, 13
0-2178029-2	2	02-K	10	5	GREEN		B	A	12, 13

PART NO.	POS.	RAST 5	DIM A	DIM B	COLOUR	MATERIAL	LOCKING LATCH	REV.	MATED WITH
Bestell-Nr.	Pol.	Rast 5	Maß A	Maß B	Farbe		Rasthaken	Rev.	Gegenstecker
0-964702-1	1	-	9	4	NATURAL		B	1	12, 13
0-964702-2	2	-	9	4	NATURAL		B	1	12, 13
0-964702-3	3	-	9	4	NATURAL		B	1	12, 13
0-1241980-8	8	-	8	4	NATURAL		B	1	12, 13



## SPECIAL VERSIONS SEE SHEET 3 OF 3

SWAGED KEYING RIB Abgeschrägte Kodierrippe

PRELIMINARY	POS.	RAST 5	DIM A	DIM B	COLOUR	MATERIAL	LOCKING LATCH	REV.	MATED WITH
Bestell-Nr.	Pol.	Rast 5	Maß A	Maß B	Farbe		Rasthaken	Rev.	Gegenstecker
7-1241965-2	2	02-M	10	5	NATURE	UL94 V-0	B	1	12, 13
0-1241980-8	8	-	40	35	NATURE/natur	UL94V-0	-	B	12, 13
5-964702-3	-	-	-	-	NATURE/natur				
0-964702-3	9	-	45	40	NATURE/natur	UL94V-2	C	E	
0-964702-2	-	-	-	-	BLACK/schwarz				
0-964702-1	-	-	-	-	NATURE/natur				
0-964983-6	6	06-A	30	25	WHITE/weiß				
3-964983-4	4	04-G	20	15	GREY/grau				
2-964983-4	4	04-F	20	15	ORANGE/orange				
2-1241817-3	3	03-K	15	10	GREEN/grün	UL94V-2	B	D	12, 13
2-964983-2	2	02-M	10	5	VIOLET/violett (lila)				
2-964983-2	2	02-G	10	5	BLUE/blau				
0-964983-2	2	02-D	10	5	BLACK/schwarz				
1-1241965-1	11	11-B	55	50	NATURE/natur				
0-1241965-9	9	09-D	45	40	NATURE/natur				
0-1241965-8	8	08-D	40	35	NATURE/natur				
1-1241965-7	7	-	35	30	NATURE/natur				
0-1241965-7	7	-	35	30	NATURE/natur				
2-1241965-6	6	06-D	30	25	NATURE/natur				
2-1241965-5	5	05-B	25	20	NATURE/natur	UL94V-2	B	B	12, 13
0-1241965-5	5	-	25	20	NATURE/natur				
0-1241965-4	4	04-C	20	15	NATURE/natur				
9-1241965-2	2	-	10	5	NATURE/natur				
5-1241965-2	2	02-B	10	5	BLACK/schwarz				
4-1241965-2	2	02-I	10	5	RED/rot				
3-1241965-2	2	02-G	10	5	BLUE/blau				
0-1241965-2	2	02-A	10	5	NATURE/natur				
1-928247-1	11	11-B	55	50	YELLOW/gelb		B		12, 13
2-928247-0	10	-	50	45	GREY/grau		B		12, 13
1-928247-0	10	-	50	45	BROWN/braun	UL94V-2	B		12, 13
2-928247-9	9	09-D	45	40	BLUE/blau		B		964703-3 12, 13
0-928247-8	8	08-D	40	35	BLUE/blau		B		12, 13
6-928247-7	7	-	35	30	GREEN/grün		A		12, 13
4-928247-7	7	-	35	30	NATURE/natur		A		12, 13
3-928247-7	7	-	35	30	NATURE/natur	UL94V-0	A		12, 13
0-928247-7	7	07-C	35	30	GREY/grau		B		12, 13
2-928247-6	6	06-D	30	25	BLUE/blau		B		12, 13
0-1703150-6	6	06-C	30	25	GREY/grau		A		12, 13
0-928247-6	6	06-C	30	25	GREY/grau	UL94V-2	B		12, 13
6-928247-5	5	-	25	20	NATURE/natur		B		12, 13
5-928247-5	5	-	25	20	GREEN/grün		B		12, 13
3-928247-5	5	05-D	25	20	BLUE/blau		A		12, 13
2-1703150-5	5	05-B	25	20	BLACK/schwarz		A		12, 13
2-928247-5	5	05-B	25	20	BLACK/schwarz		B		12, 13
9-928247-4	4	-	20	15	NATURE/natur	UL94V-0	A		12, 13
5-928247-4	4	04-B	20	15	BLACK/schwarz		A		12, 13
4-928247-4	4	04-A	20	15	NATURE/natur		B		12, 13
3-928247-4	4	04-G	20	15	VIOLET/violett (lila)		B		12, 13
2-928247-4	4	04-F	20	15	WHITE/weiß		B		12, 13
0-928247-4	4	04-C	20	15	GREY/grau		B		12, 13
5-928247-3	3	-	15	10	NATURE/natur		A		12, 13
4-928247-3	3	03-H	15	10	BROWN/braun		A		12, 13
3-928247-3	3	03-D	15	10	BLUE/blau		A		12, 13
2-928247-3	3	03-G	15	10	VIOLET/violett (lila)	UL94V-2	A		12, 13
0-928247-3	3	-	15	10	YELLOW/gelb		B		12, 13
9-928247-2	2	-	10	5	NATURE/natur		B		12, 13
8-928247-2	2	02-C	10	5	GREY/grau		B		12, 13
7-928247-2	2	02-P	10	5	PURPLED/purpurnot		A		12, 13
6-928247-2	2	02-A	10	5	NATURE/natur		B		12, 13
5-928247-2	2	02-E	10	5	GREEN/grün		B		12, 13
4-928247-2	2	02-K	10	5	YELLOW GREEN/gelbgrün		B		12, 13
3-928247-2	2	02-I	10	5	ORANGE/orange		A		12, 13
2-928247-2	2	02-O	10	5	PINK/rosa		A		12, 13
0-928247-2	2	02-B	10	5	BLACK/schwarz		B		12, 13

COLOUR	SUPERSEDED BY PN:	PART NO.	POS.	RAST 5	DIM A	DIM B	COLOUR	MATERIAL	LOCKING LATCH	REV.	MATED WITH
Bestell-Nr.	Pol.	Bestell-Nr.	Pol.	Rast 5	Maß A	Maß B	Farbe		Rasthaken	Rev.	Gegenstecker
1-969484-7	7	4-928247-3	3	03-H	15	10	BROWN/braun				
1-969484-8	8	3-928247-3	3	03-D	15	10	BLUE/blau				
3-969484-7	7	2-928247-3	3	03-G	15	10	VIOLET/violett (lila)				

